

# THE FPS UNIVERSAL BREADER

## EASY<sup>2</sup>USE TWO-IN ONE



### Two Breaders, One Machine

The FPS Universal Breader combines the functions of a linear breader and tumble breader in one easy-to-use machine. Product changeovers occur quickly: A powered lift raises the linear transport belt up and out of the way to reveal an FPS Vibratory Tumble Breader underneath.

An excellent pre-duster, the Universal Breader also straightens and lanes product for further processing.



### Drumless Homestyle Finish

Achieve that crispy, homestyle, "straight from granny's fry pan" look without the mechanical and cleaning hassles of a drum. The tumbling feature of FPS's Universal Breader flips and tumbles product over a series of steps to create great homestyle results. Product intake and outfeed occur at line height and width to save valuable production floor space.



Homestyle chicken from the Universal Breader.

### Augerless Recycling

FPS's patented recycle conveyor replaces dangerous augers, recirculating the widest variety of coatings without crushing. Achieve thorough, consistent coverage with fine flours, delicate Panko, bulky nut coatings ... and everything in between.

PH: 608.592.7793  
FX: 608.592.5921

**FPS** FOOD  
PROCESS  
SYSTEMS, INC.

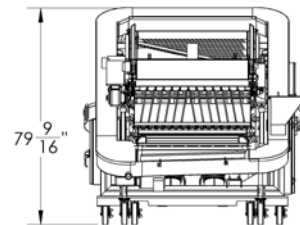
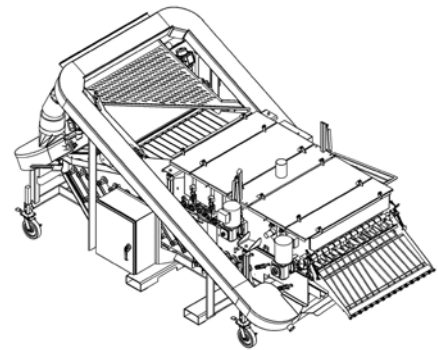
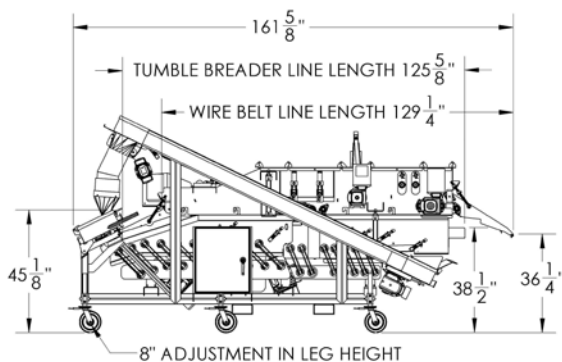
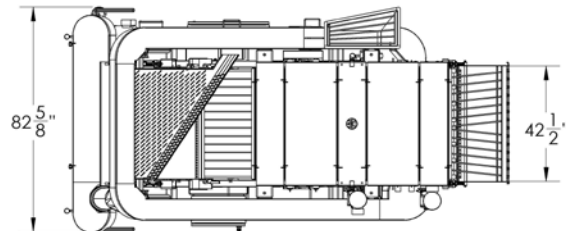
THE NEXT GENERATION OF COATING EQUIPMENT

PO Box 327  
Lodi, WI 53555  
[www.FPSInc.net](http://www.FPSInc.net)

# THE FPS UNIVERSAL BREADER

## Specifications

<b>Length</b>	161 $\frac{5}{8}$ " in. / 411 cm.
<b>Width</b>	82 $\frac{5}{8}$ " in. / 208 cm.
<b>Height</b>	79 $\frac{9}{16}$ " in. / 202 cm.



US Patent 8,181,592

- Breading empties quickly for swift product changeovers.
- Tilt-up pans and hinged covers provide complete interior access for easy cleaning.
- Linear breader includes one compression roller and air knife with room for one more of either.
- Linear breader features a powered product agitator to remove excess breading at the outfeed.
- Heavy-gauge 304 stainless steel construction. USDA and WDA compliant for direct food contact.
- Simple, all-electric design.

### Custom options available

- Product metering conveyor
- Sensor-activated bulk breading infeed conveyor
- Tumble breader features interchangeable discharge pans to spread, lane or align product.

**Call today to schedule your product test.**

PH: 608.592.7793  
FX: 608.592.5921

**FPS** FOOD  
PROCESS  
SYSTEMS, INC.

THE NEXT GENERATION OF COATING EQUIPMENT

PO Box 327  
Lodi, WI 53555  
www.FPSInc.net